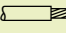


MULTI CONNECTION SYSTEM **MINI HD**

Headers and Female Connectors

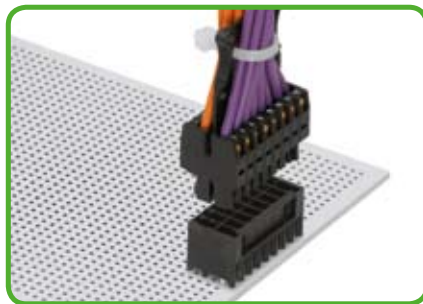
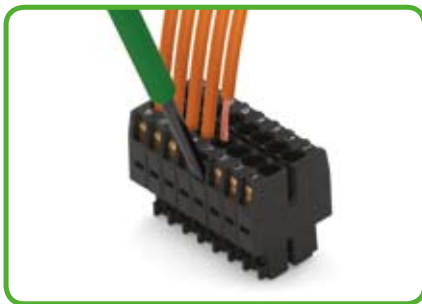
Pin Spacings 3.5 mm/0.137 in; Series 713

CAGE CLAMP®

Pin spacing 3.5 mm / 0.138 in 80 V/2.5 kV/3 I_N 6 A	Pin spacing 3.5 mm / 0.138 in 150V, 10A 80 V/2.5 kV/3 I_N 6 A	Pin spacing 3.5 mm / 0.138 in 0.08 – 1.5 mm ² 80 V/2.5 kV/3 I_N 6 A AWG 28 – 16 solid AWG 28 – 18 flexible  6 – 7 mm / 0.25 in
--	---	---



No. of poles	Item no.	No. of poles	Item no.	No. of poles	Item no.
Headers, 2-row,		Headers, 2-row,		Female connectors, 2-row,	
100% protected against mismatching, black, straight solder pin 0.8 mm x 0.8 mm		100% protected against mismatching, black, right angle solder pin 0.8 mm x 0.8 mm		100% protected against mismatching, black with CAGE CLAMP® connection, with coding fingers to be cut off	
6 (3x2)	713-1403	6 (3x2)	713-1423	6 (3x2)	713-1103
8 (4x2)	713-1404	8 (4x2)	713-1424	8 (4x2)	713-1104
10 (5x2)	713-1405	10 (5x2)	713-1425	10 (5x2)	713-1105
12 (6x2)	713-1406	12 (6x2)	713-1426	12 (6x2)	713-1106
14 (7x2)	713-1407	14 (7x2)	713-1427	14 (7x2)	713-1107
16 (8x2)	713-1408	16 (8x2)	713-1428	16 (8x2)	713-1108
18 (9x2)	713-1409	18 (9x2)	713-1429	18 (9x2)	713-1109
20 (10x2)	713-1410	20 (10x2)	713-1430	20 (10x2)	713-1110
22 (11x2)	713-1411	22 (11x2)	713-1431	22 (11x2)	713-1111
24 (12x2)	713-1412	24 (12x2)	713-1432	24 (12x2)	713-1112
26 (13x2)	713-1413	26 (13x2)	713-1433	26 (13x2)	713-1113
28 (14x2)	713-1414	28 (14x2)	713-1434	28 (14x2)	713-1114
30 (15x2)	713-1415	30 (15x2)	713-1435	30 (15x2)	713-1115
32 (16x2)	713-1416	32 (16x2)	713-1436	32 (16x2)	713-1116
34 (17x2)	713-1417	34 (17x2)	713-1437	34 (17x2)	713-1117
36 (18x2)	713-1418	36 (18x2)	713-1438	36 (18x2)	713-1118
Coding strips	714-101	Coding strips	714-101		



Accessories

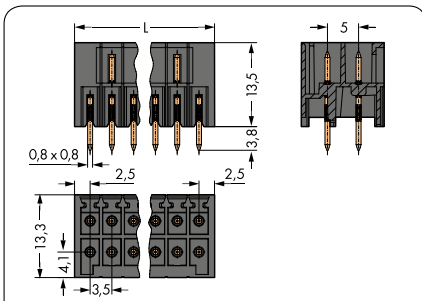


Screwdriver,
 (2.5x0.4) mm/(0.098x0.0157) in
210-719

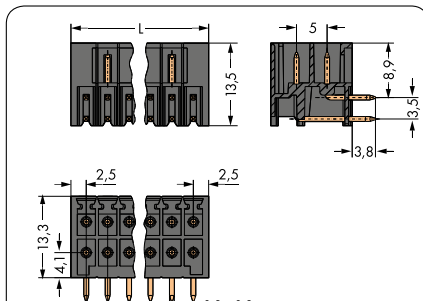


Strain relief plate
713-126 11 mm/0.039 in wide
713-127 25 mm/0.98 in wide
713-128 39 mm/1.53 in wide
713-129 53 mm/2.08 in wide

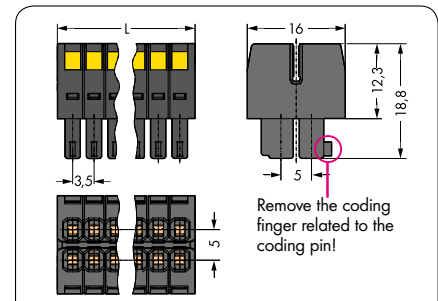
Dimensions (in mm)



Diameter of drilled hole: 1.1^{+0.1} mm
 $L = [(No. \text{ of poles}/2) - 1] \times \text{pin spacing} + 5 \text{ mm}$



Diameter of drilled hole: 1.1^{+0.1} mm
 $L = [(No. \text{ of poles}/2) - 1] \times \text{pin spacing} + 5 \text{ mm}$

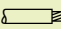


$L = [(No. \text{ of poles}/2) - 1] \times \text{pin spacing} + 5 \text{ mm}$

MULTI CONNECTION SYSTEM **MINI HD**

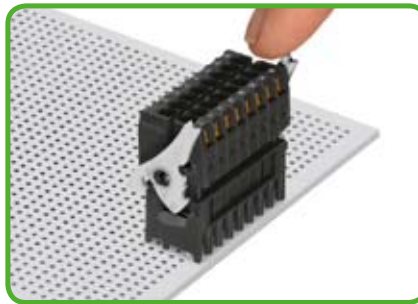
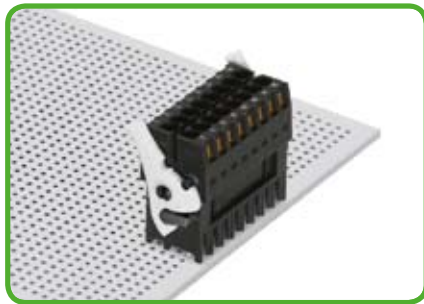
Headers and Female Connectors with Separators

Pin Spacings 3.5 mm/0.137 in; Series 713

Pin spacing 3.5 mm / 0.138 in 80 V/2.5 kV/3 150V, 10A I_N 6 A	Pin spacing 3.5 mm / 0.138 in 80 V/2.5 kV/3 150V, 10A I_N 6 A	Pin spacing 3.5 mm / 0.138 in 0.08 – 1.5 mm ² AWG 28 – 16 solid 80 V/2.5 kV/3 AWG 28 – 18 flexible I_N 6 A  6 – 7 mm / 0.25 in
--	--	---



No. of poles	Item No.	No. of poles	Item No.	No. of poles	Item No.
Headers, 2-row, with separators		Headers, 2-row, with separators		Female connectors, 2-row, with separators	
100% protected against mismatching, black, straight solder pin 0.8 mm x 0.8 mm		100% protected against mismatching, black, right angle solder pin 0.8 mm x 0.8 mm		100% protected against mismatching, black with CAGE CLAMP® connection, with coding fingers to be cut off	
6 (3x2)	713-1403/037-000	6 (3x2)	713-1423/037-000	6 (3x2)	713-1103/037-000
8 (4x2)	713-1404/037-000	8 (4x2)	713-1424/037-000	8 (4x2)	713-1104/037-000
10 (5x2)	713-1405/037-000	10 (5x2)	713-1425/037-000	10 (5x2)	713-1105/037-000
12 (6x2)	713-1406/037-000	12 (6x2)	713-1426/037-000	12 (6x2)	713-1106/037-000
14 (7x2)	713-1407/037-000	14 (7x2)	713-1427/037-000	14 (7x2)	713-1107/037-000
16 (8x2)	713-1408/037-000	16 (8x2)	713-1428/037-000	16 (8x2)	713-1108/037-000
18 (9x2)	713-1409/037-000	18 (9x2)	713-1429/037-000	18 (9x2)	713-1109/037-000
20 (10x2)	713-1410/037-000	20 (10x2)	713-1430/037-000	20 (10x2)	713-1110/037-000
22 (11x2)	713-1411/037-000	22 (11x2)	713-1431/037-000	22 (11x2)	713-1111/037-000
24 (12x2)	713-1412/037-000	24 (12x2)	713-1432/037-000	24 (12x2)	713-1112/037-000
26 (13x2)	713-1413/037-000	26 (13x2)	713-1433/037-000	26 (13x2)	713-1113/037-000
28 (14x2)	713-1414/037-000	28 (14x2)	713-1434/037-000	28 (14x2)	713-1114/037-000
30 (15x2)	713-1415/037-000	30 (15x2)	713-1435/037-000	30 (15x2)	713-1115/037-000
32 (16x2)	713-1416/037-000	32 (16x2)	713-1436/037-000	32 (16x2)	713-1116/037-000
34 (17x2)	713-1417/037-000	34 (17x2)	713-1437/037-000	34 (17x2)	713-1117/037-000
36 (18x2)	713-1418/037-000	36 (18x2)	713-1438/037-000	36 (18x2)	713-1118/037-000
Coding strips	714-101	Coding strips	714-101		



Accessories

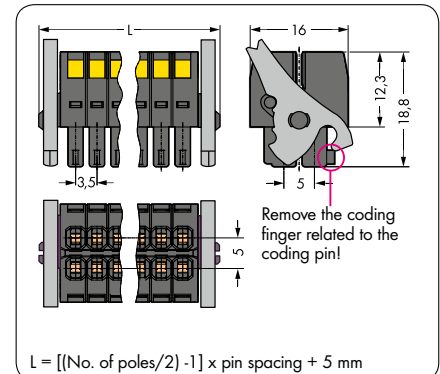
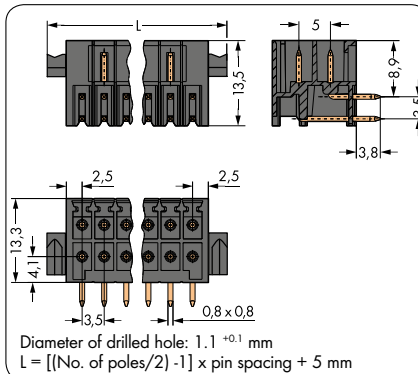
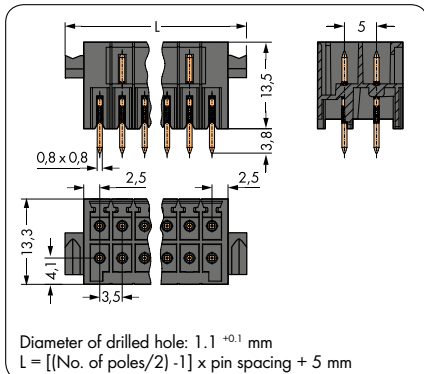


Screwdriver,
 (2.5x0.4) mm/(0.098x0.0157) in
210-719



Strain relief plate
713-126 11 mm/0.039 in wide
713-127 25 mm/0.98 in wide
713-128 39 mm/1.53 in wide
713-129 53 mm/2.08 in wide

Dimensions (in mm)

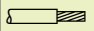


MULTI CONNECTION SYSTEM **MINI HD**

Headers and Female Connectors with Screw/Threaded Flanges

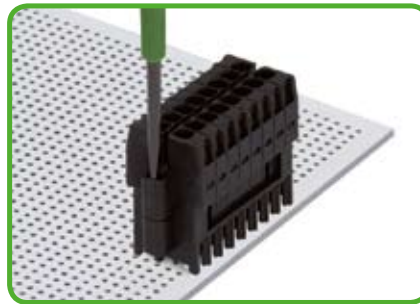
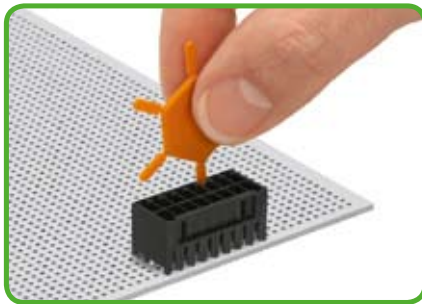
Pin Spacings 3.5 mm/0.137 in; Series 713

CAGE CLAMP®

Pin spacing 3.5 mm / 0.138 in 80 V/2.5 kV/3 150V, 10A I_N 6 A	Pin spacing 3.5 mm / 0.138 in 80 V/2.5 kV/3 150V, 10A I_N 6 A	Pin spacing 3.5 mm / 0.138 in 0.08 – 1.5 mm ² AWG 28 – 16 solid 80 V/2.5 kV/3 AWG 28 – 18 flexible I_N 6 A  6 – 7 mm / 0.25 in
--	--	---



No. of poles	Item no.	No. of poles	Item no.	No. of poles	Item no.
Headers, 2-row, with Screw/Threaded Flanges, 100% protected against mismatching, black, straight solder pin 0.8 mm x 0.8 mm		Headers, 2-row, with Screw/Threaded Flanges, 100% protected against mismatching, black, right angle solder pin 0.8 mm x 0.8 mm		Female connectors, 2-row, with Screw/Threaded Flanges, 100% protected against mismatching, black with CAGE CLAMP® connection, with coding fingers to be cut off	
6 (3x2)	713-1403/107-000	6 (3x2)	713-1423/107-000	6 (3x2)	713-1103/107-000
8 (4x2)	713-1404/107-000	8 (4x2)	713-1424/107-000	8 (4x2)	713-1104/107-000
10 (5x2)	713-1405/107-000	10 (5x2)	713-1425/107-000	10 (5x2)	713-1105/107-000
12 (6x2)	713-1406/107-000	12 (6x2)	713-1426/107-000	12 (6x2)	713-1106/107-000
14 (7x2)	713-1407/107-000	14 (7x2)	713-1427/107-000	14 (7x2)	713-1107/107-000
16 (8x2)	713-1408/107-000	16 (8x2)	713-1428/107-000	16 (8x2)	713-1108/107-000
18 (9x2)	713-1409/107-000	18 (9x2)	713-1429/107-000	18 (9x2)	713-1109/107-000
20 (10x2)	713-1410/107-000	20 (10x2)	713-1430/107-000	20 (10x2)	713-1110/107-000
22 (11x2)	713-1411/107-000	22 (11x2)	713-1431/107-000	22 (11x2)	713-1111/107-000
24 (12x2)	713-1412/107-000	24 (12x2)	713-1432/107-000	24 (12x2)	713-1112/107-000
26 (13x2)	713-1413/107-000	26 (13x2)	713-1433/107-000	26 (13x2)	713-1113/107-000
28 (14x2)	713-1414/107-000	28 (14x2)	713-1434/107-000	28 (14x2)	713-1114/107-000
30 (15x2)	713-1415/107-000	30 (15x2)	713-1435/107-000	30 (15x2)	713-1115/107-000
32 (16x2)	713-1416/107-000	32 (16x2)	713-1436/107-000	32 (16x2)	713-1116/107-000
34 (17x2)	713-1417/107-000	34 (17x2)	713-1437/107-000	34 (17x2)	713-1117/107-000
36 (18x2)	713-1418/107-000	36 (18x2)	713-1438/107-000	36 (18x2)	713-1118/107-000
Coding strips	714-101	Coding strips	714-101		



Accessories



Screwdriver,
 (2.5x0.4) mm/(0.098x0.0157) in
210-719



Strain relief plate
713-126 11 mm/0.039 in wide
713-127 25 mm/0.98 in wide
713-128 39 mm/1.53 in wide
713-129 53 mm/2.08 in wide

Dimensions (in mm)

