

PCB Terminal Strips with Operating Levers 6 mm² Pin Spacing 7.5 mm, 10 mm, 12.5 mm 2706 Series



- High-current terminal strips with lever-actuated CAGE CLAMP®
- Tool-free opening and closing – fingers open/close levers
- Several clamping units can be held open simultaneously – convenient for terminating multi-core cables
- Double solder pins per contact point for high mechanical stability
- 600 V UL for 12.5 mm pin spacing

Technical data:

Pin Spacing	7,5 mm 0.295 in			10 mm 0.394 in			12,5 mm 0.492 in		
	IEC/EN 60664-1			IEC/EN 60664-1			IEC/EN 60664-1		
Rating per									
Overvoltage category	III	III	II	III	III	II	III	III	II
Pollution degree	3	2	2	3	2	2	3	2	2
Rated voltage	500 V	630 V	1000 V	800 V	1000 V	1000 V	1000 V	1000 V	1000 V
Rated surge voltage	6 kV	6 kV	6 kV	8 kV	8 kV	8 kV	8 kV	8 kV	8 kV
Nominal current	41 A	41 A	41 A	41 A	41 A	41 A	41 A	41 A	41 A
Approvals per	UL/CSA			UL/CSA			UL/CSA		
Use group UL 1059	B	C	D	B	C	D	B	C	D
Rated voltage	300 V	150 V	300 V	300 V	300 V	600 V	300 V	600 V	-
Nominal current UL	30 A	30 A	10 A	30 A	30 A	5 A	30 A	30 A	-
Nominal current CSA	30 A	30 A	10 A	30 A	30 A	5 A	30 A	30 A	-

Conductor and solder pin data:

Connection technology	CAGE CLAMP®
Conductor size: solid	0.5 - 6 mm ²
Conductor size: fine-stranded	0.5 - 6 mm ²
Conductor size: fine-stranded	0.5 - 4 mm ² (with insulated ferrule)
Conductor size: fine-stranded	0.5 - 4 mm ² (with uninsulated ferrule)
AWG	20 - 10
Strip length	11 - 12 mm / 0.43 - 0.47 in
Conductor entry angle	30° to PCB
Solder pin: length/width	4.5 mm / 1.0 x 1.4 mm
Solder pin: drilled hole diameter	1.8 ^{+0.1} mm

Material data:

Material group	I
Insulating material	Polyamide 6.6 (PA 6.6)
Temperature stability	-60°C to +105°C
Flammability rating per UL 94	V0
Clamping spring material	Chrome nickel spring steel (CrNi)
Contact material	Electrolytic copper (E _{Cu})
Contact plating	tin-plated

2706 Series accessories:

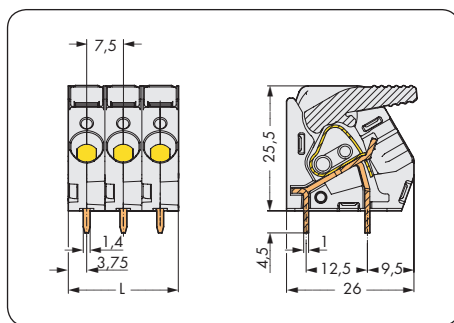
Volume 2/ Page:

Marking accessories	498 - 501
Test plugs	502

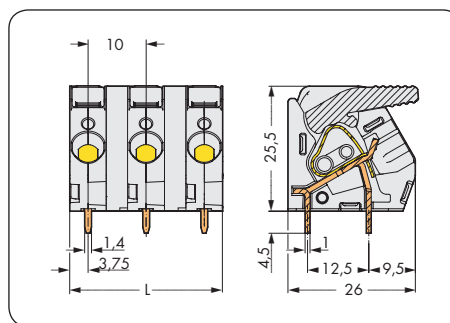
PCB Terminal Strips with Operating Levers 6 mm²

CAGE CLAMP®

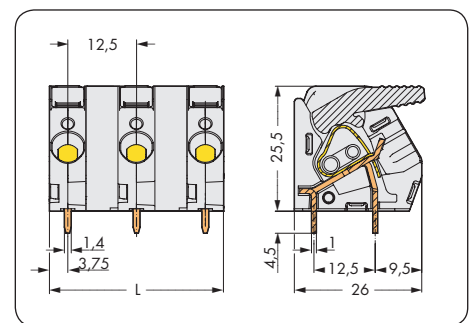
Pin spacing 7.5 mm / 0.295 in		Pin spacing 10 mm / 0.394 in		Pin spacing 12.5 mm / 0.492 in	
0.5 – 6 mm ²	AWG 20 – 10	0.5 – 6 mm ²	AWG 20 – 10	0.5 – 6 mm ²	AWG 20 – 10
630 V/6 kV/2 41 A	300 V/ 30 A	1000 V/8 kV/2 41 A	300 V/ 30 A	1000 V/8 kV/2 41 A	600 V/ 30 A



L = pole no. x pin spacing



L = (pole no. x pin spacing) - 2.5 mm



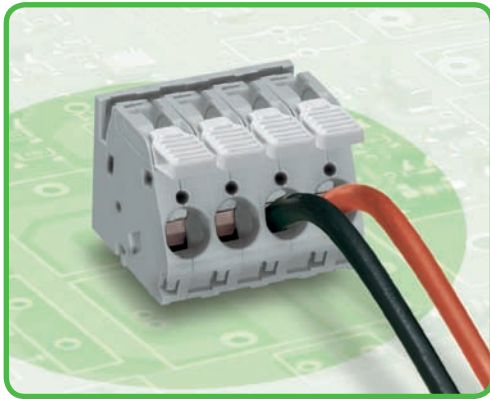
L = (pole no. x pin spacing) - 5 mm

Pole No.	Item No.	Pack. Unit	Pole No.	Item No.	Pack. Unit	Pole No.	Item No.	Pack. Unit
Terminal strip with operating levers, gray			Terminal strip with operating levers, gray			Terminal strip with operating levers, gray		
2	2706-0102		2	2706-0202		2	2706-0302	
3	2706-0103		3	2706-0203		3	2706-0303	
4	2706-0104		4	2706-0204		4	2706-0304	
5	2706-0105		5	2706-0205		5	2706-0305	
6	2706-0106		6	2706-0206		6	2706-0306	
7	2706-0107		7	2706-0207		7	2706-0307	
8	2706-0108		8	2706-0208		8	2706-0308	
9	2706-0109		9	2706-0209		9	2706-0309	
10	2706-0110		10	2706-0210		10	2706-0310	
11	2706-0111		11	2706-0211		11	2706-0311	
12	2706-0112		12	2706-0212		12	2706-0312	

Item no. suffixes for colored terminal strips:

● blue /000-006	Ordering example: Terminal strip with operating levers, 10 mm pin spacing, 8-pole, light gray: 2706-0208/000-009
○ light gray /000-009	
● green-yellow /000-016	
● light green /000-017	

PCB Terminal Strips with Operating Levers and Jumper Slots 6 mm² Pin Spacing 7.5 mm, 10 mm 2706 Series



- High-current terminal strips with lever-actuated CAGE CLAMP®
- Tool-free opening and closing – fingers open/close levers
- Several clamping units can be held open simultaneously – convenient for terminating multi-core cables
- Double solder pins per contact point for high mechanical stability
- Versions with commoning option for distributing potentials

Technical data:

Pin Spacing	7,5 mm 0.295 in			10 mm 0.394 in		
	IEC/EN 60664-1			IEC/EN 60664-1		
Rating per						
Overvoltage category	III	III	II	III	III	II
Pollution degree	3	2	2	3	2	2
Rated voltage	500 V	630 V	1000 V	630 V	1000 V	1000 V
Rated surge voltage	6 kV	6 kV	6 kV	8 kV	8 kV	8 kV
Nominal current	41 A	41 A	41 A	41 A	41 A	41 A
Approvals per	UL/CSA			UL/CSA		
Use group UL 1059	B	C	D	B	C	D
Rated voltage	300 V	150 V	300 V	300 V	300 V	600 V
Nominal current UL	30 A	30 A	10 A	30 A	30 A	5 A
Nominal current CSA	30 A	30 A	10 A	30 A	30 A	5 A

Conductor and solder pin data:

Connection technology	CAGE CLAMP®
Conductor size: solid	0.5 – 6 mm ²
Conductor size: fine-stranded	0.5 – 6 mm ²
Conductor size: fine-stranded	0.5 – 4 mm ² (with insulated ferrule)
Conductor size: fine-stranded	0.5 – 4 mm ² (with uninsulated ferrule)
AWG	20 – 10
Strip length	11 – 12 mm / 0.43 – 0.47 in
Conductor entry angle	30° to PCB
Solder pin: length/width	4.5 mm / 1.0 x 1.4 mm
Solder pin: drilled hole diameter	1.8 ^{+0.1} mm

Material data:

Material group	I
Insulating material	Polyamide 6.6 (PA 6.6)
Temperature stability	-60°C to +105°C
Flammability rating per UL 94	V0
Clamping spring material	Chrome nickel spring steel (CrNi)
Contact material	Electrolytic copper (E _{cu})
Contact plating	tin-plated

2706 Series accessories:

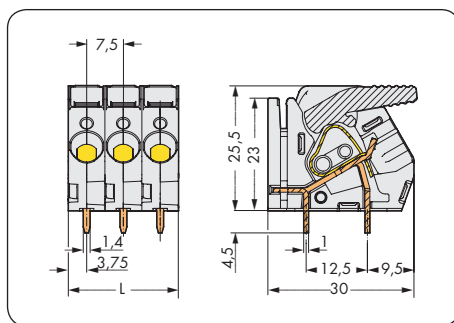
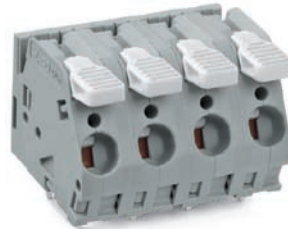
Volume 2/Page:

Marking accessories	498 – 501
Comb-style jumper bars	185
Test plugs	502

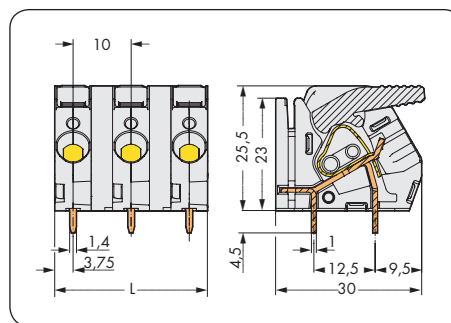
PCB Terminal Strips with Operating Levers and Jumper Slots 6 mm²

CAGE CLAMP®

Pin spacing 7.5 mm / 0.295 in		Pin spacing 10 mm / 0.394 in	
0.5 – 6 mm ²	AWG 20 – 10	0.5 – 6 mm ²	AWG 20 – 10
630 V/6 kV/2 41 A	300 V/ 30 A	1000 V/8 kV/2 41 A	300 V/ 30 A



L = pole no. x pin spacing



L = (pole no. x pin spacing) - 2.5 mm

Pole No.	Item No.	Pack. Unit	Pole No.	Item No.	Pack. Unit
Terminal strip with operating levers and jumper slot, gray			Terminal strip with operating levers and jumper slot, gray		
2	2706-0152		2	2706-0252	
3	2706-0153		3	2706-0253	
4	2706-0154		4	2706-0254	
5	2706-0155		5	2706-0255	
6	2706-0156		6	2706-0256	
7	2706-0157		7	2706-0257	
8	2706-0158		8	2706-0258	
9	2706-0159		9	2706-0259	
10	2706-0160		10	2706-0260	
11	2706-0161		11	2706-0261	
12	2706-0162		12	2706-0262	

Item no. suffixes for colored terminal strips:

● blue /000-006	Ordering example: Terminal strip with operating levers and jumper slot, 10 mm pin spacing 8-pole, light gray: 2706-0358/000-009
○ light gray /000-009	
● green-yellow /000-016	
● light green /000-017	